

Rolloscope M[®] Series

Motorized Mammography Viewers



Optimized Reading Conditions

Increased Efficiency

Control Research, Inc.
1775 Winnetka Circle, Rolling Meadows, IL 60008
Tel: 847.392.4770 Fax: 847.392.4853 www.controlresearchinc.com

Rolloscope M[®] Series

Motorized Mammography Viewers

ROLLOSCOPE M



The Rolloscope M series of viewers are effective tools that promote speed and enhance mammography film interpretation.

With a one-touch system, they automatically:

1. dim the lights,
2. bring up a new case,
3. set the shutters to memorized masking configuration,
4. return the original brightness.

These units are designed to relieve time pressure and to promote more focused and productive reading sessions. With the highest luminance available, the largest film capacity, and the longest belt life, they have established themselves as the new benchmark among mammography viewers.

Rolloscope ML



The ML model maintains all the features of the M model while adding the capacity for 33% more films. This provides the ability to view 8 over 8 of the standard 18x24 cm mammography films at once. Productivity is increased by seeing four years of history on the same patient without the distraction of handling films or adjusting masking.

Features & Benefits:

1. Automatically memorizes shutter positions on each frame. No need to push a Store button. The Rolloscope does it for you, then recalls the setting when you return to the frame.
2. Complete control of masking size with four shutters. Control individually with toggle switches or all four with roaming joystick.
3. Four preset switches allow storing of favorite mask sizes.
4. Luminance seamlessly variable from 3% (350 nit) to 100% (12000+nit)
5. Low maintenance, long life by design. Film belt expectancy 10+ years. Illuminator fluorescent lamp life expectancy 3 to 4 years.

Rolloscope MD

A future-proof mammography film viewer easing the transition into the digital era.

The Rolloscope MD retains all the features of the Rolloscope M series, but also accommodates digital LCD monitors and prior film comparison into one convenient viewing station.

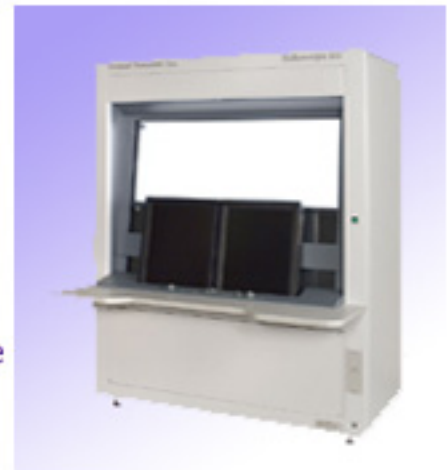
Initially the unit can be used as full size film viewer. However, equipped with removable mounting bars for monitors, the unit can be easily converted into a digital workstation by simply installing the flat panel monitors. Prior films are viewed directly above the digital images displayed by the monitors. This innovative combination is specifically designed to address the shortcomings in existing arrangements for reading both analog films and digital images.



Features & Benefits:

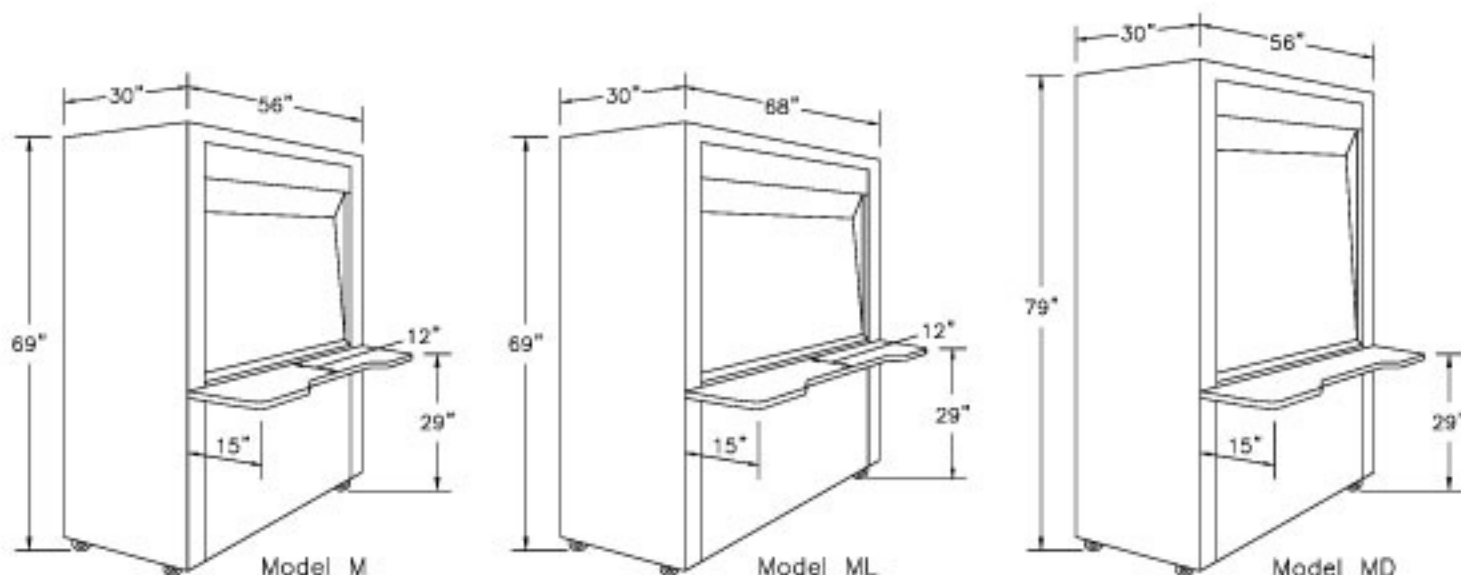


1. Retains all the features of the Rolloscope M Series in addition to accommodating digital LCD monitors with prior film viewing.
2. Display films immediately above the digital images. No need to move between two workstations! A totally superior way to compare prior films to new digital images.
3. Standard RS 232 interface allows Rolloscope MD to be remote controlled by an external computer. Can be utilized to synchronize the film viewer with digital PACS workstation and/or MRS system.
4. The Rolloscope MD has 101 frames above the LCD monitors, which accommodate 6 across of the 18x24 cm films, 4 across of the 24x30 cm mammography films or 3 across of 14x17" MRI or ultrasound films.



Specifications

Inches	12	15	29	30	56	68	79
mm	305	381	737	762	1423	1727	2006



	Model M	Model ML	Model MD
Viewing Area	42.5" x 24" (1079 x 610 mm)	54.5" x 24" (1384 x 610mm)	42.5" x 36.5" (1079 x 927 mm)
Maximum Viewing Capacity			
18 x 24 cm film	1,032 (6 over 6)	1,376 (8 over 8)	1,212 (6 over 6)
24 x 30 cm film	688 (4 over 4)	1,032 (6 over 6)	404 (4 across)
14" x 17" film	258 (3 across)	344 (4 across)	303 (3 across)
Luminance Level	350 – 10,000 nit (cd/m ²)	350 – 12,000 nit (cd/m ²)	350 – 10,000 nit (cd/m ²)
Color Temperature	7,000 deg. Kelvin	7,000 deg. Kelvin	7,000 deg. Kelvin
Lamp Type	48" Fluorescent Daylight, 36W	60" Fluorescent Daylight, 58W	48" Fluorescent Daylight, 36W
Power Required	100 -120 VAC, 15 A, 50/60 Hz or 200 – 240 VAC, 10 A 50/60 Hz	100 -120 VAC, 15 A, 50/60 Hz or 200 – 240 VAC, 10 A 50/60 Hz	100 -120 VAC, 15 A, 50/60 Hz or 200 – 240 VAC, 10 A 50/60 Hz
Power Consumption	4.5 Amps Maximum @ 120 VAC 2.5 Amps Maximum @ 220 VAC	6.5 Amps Maximum @ 120 VAC 3.5 Amps Maximum @ 220 VAC	6.3 Amps Maximum @ 120 VAC 3.4 Amps Maximum @ 220 VAC
Heat Output	Max: 1,945 BTU/hr	Max: 2,800 BTU/hr	Max: 2,700 BTU/hr
Weight	1,030 lbs. (467 kg)	1,200 lbs. (544 kg)	1,130 lbs. (512 kg).

Available through dealers nationwide - please contact your local dealer or call us for local dealer contacts.

Control Research, Inc.

1775 Winnetka Circle, Rolling Meadows, IL 60008

Tel: 847.392.4770 Fax: 847.39.4853 www.controlresearchinc.com